

## Specifications

Nominal Voltage (V)		12	
Nominal Capacity (AH)		9.0	
Dimensions	Length	151.0 mm	5.945 inches
	Width	64.5 mm	2.539 inches
	Height	94.0 mm	3.702 inches
	Total Height	100.0 mm	3.937 inches
Approx. Weight		2.65 kgs	5.83 lbs
Standard Terminals Case Material		Faston Tab 250/187 ABS UL 94-HB	

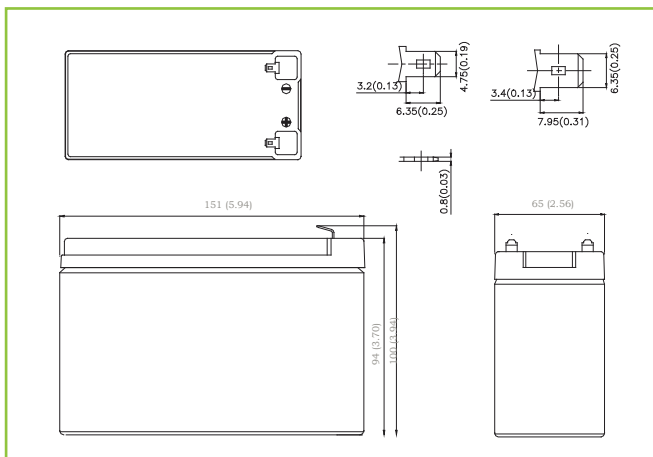
## Characteristics

Capacity	20 hour rate	0.45 A	9.00 Ah
	10 hour rate	0.81 A	8.10 Ah
	5 hour rate	1.49 A	7.45 Ah
	1 hour rate	5.57 A	5.51 Ah
	15 Min Rate	19.0 A	4.75 Ah
Internal Resistance		22 mΩ	
Max. Discharge Current ( 5 sec )		135 A	
Constant Voltage Charge Method	Max. Charge Current		3.4 A
	Standby Use	2.25 - 2.30 V /Cell	
	Cycle Use	2.40 - 2.50 V /Cell	
Operating Temperature Range	Discharge:	-15 ~ 50 °C ( 5 ~ 122 °F)	
	Charge:	-15 ~ 40 °C ( 5 ~ 104 °F)	
	Storage:	-15 ~ 40 °C ( 5 ~ 104 °F)	
Temperature coefficient	For standby use:	-3.3mV / °C /Cell	
	For cycle use:	-5.0mV / °C /Cell	
Self discharge 25°C (77°F)	After 3-month	91%	
	After 6-month	82%	
	After 12-month	64%	
Temperature dependency of Capacity	40 °C (104 °F)	102%	
	25 °C (77 °F)	100%	
	0 °C (32 °F)	85%	
	-15 °C (5 °F)	65%	

## Discharge Voltage vs Discharge Current

Final Voltage V/Cell	1.75	1.70	1.76	1.30
Discharge Current (A)	0.2C>(A)	0.2C<(A)<0.5C	0.5C<(A)<1.0C	(A)>1.0C

## Dimensions



# LV 9-12

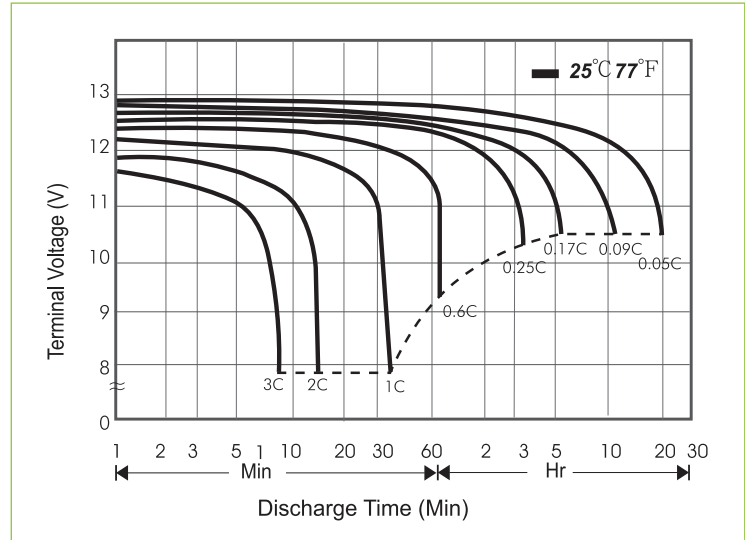


LV 9-12 VRLA (valve-regulated lead acid) battery is designed for general purpose application with 5 years standby life at 25°C. This battery is rechargeable, highly-efficient, leak-proof and maintenance-free.

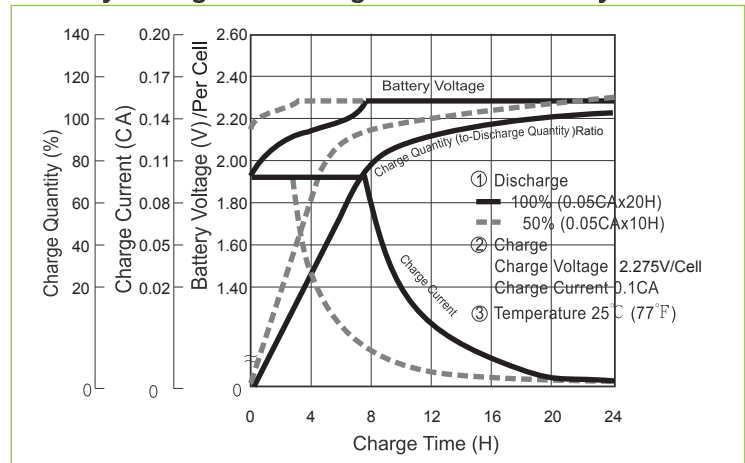
LivEn is ISO9001 and UL certified for quality assurance.



## Terminal Voltage (V) and Discharge Time



## Battery Voltage and Charge Time for Standby Use



## Cycle Service Life

